

Agilent U2781A USB Modular Instrument Chassis

User's Guide



Agilent Technologies

Notices

© Agilent Technologies, Inc. 2006

No part of this manual may be reproduced in any form or by any means (including electronic storage and retrieval or translation into a foreign language) without prior agreement and written consent from Agilent Technologies, Inc. as governed by United States and international copyright laws.

Manual Part Number

U2781-90003

Edition

First Edition, November 29, 2006

Printed in Malaysia

Agilent Technologies, Inc.
Bayan Lepas Free Industrial Zone,
11900 Penang, Malaysia

Warranty

The material contained in this document is provided “as is,” and is subject to being changed, without notice, in future editions. Further, to the maximum extent permitted by applicable law, Agilent disclaims all warranties, either express or implied, with regard to this manual and any information contained herein, including but not limited to the implied warranties of merchantability and fitness for a particular purpose. Agilent shall not be liable for errors or for incidental or consequential damages in connection with the furnishing, use, or performance of this document or of any information contained herein. Should Agilent and the user have a separate written agreement with warranty terms covering the material in this document that conflict with these terms, the warranty terms in the separate agreement shall control.

Technology Licenses

The hardware and/or software described in this document are furnished under a license and may be used or copied only in accordance with the terms of such license.

Restricted Rights Legend

U.S. Government Restricted Rights. Software and technical data rights granted to the federal government include only those rights customarily provided to end user customers. Agilent provides this customary commercial license in Software and technical data pursuant to FAR 12.211 (Technical Data) and 12.212 (Computer Software) and, for the Department of Defense, DFARS 252.227-7015 (Technical Data - Commercial Items) and DFARS 227.7202-3 (Rights in Commercial Computer Software or Computer Software Documentation).

Safety Notices

CAUTION

A **CAUTION** notice denotes a hazard. It calls attention to an operating procedure, practice, or the like that, if not correctly performed or adhered to, could result in damage to the product or loss of important data. Do not proceed beyond a **CAUTION** notice until the indicated conditions are fully understood and met. If the equipment is used in a manner not specified by the manufacturer, the protection provided by the equipment may be impaired. Do not permit any blockage on the ventilation holes.

WARNING

A **WARNING** notice denotes a hazard. It calls attention to an operating procedure, practice, or the like that, if not correctly performed or adhered to, could result in personal injury or death. Do not proceed beyond a **WARNING** notice until the indicated conditions are fully understood and met.

Safety Symbols



Direct current



Caution, risk of danger.

Regulatory Markings



The CE mark shows that the product complies with all the relevant European legal Directives (if accompanied by a year, it signifies when the design was proven).



The CSA mark is a registered trademark of the Canadian Standards Association. A CSA mark with the indicators "C" and "US" means that the product is certified for both the U.S. and Canadian markets, to the applicable American and Canadian standards.



The UL Mark is a registered trademark of Underwriters Laboratories Inc. UL listing mark with the indicators "C" and "US" indicates the product compliance with both Canadian and U.S. requirements.



The C-tick mark is a registered trademark of the Spectrum Management Agency of Australia. This signifies compliance with the Australian EMC Framework regulations under the terms of the Radio Communications Act of 1992.



This product complies with the WEEE Directive (2002/96/EC) marking equipment. The affixed product label indicates that you must not discard this electrical/ electronic product in domestic household waste.

ICES/NMB-001

This ISM device complies with the Canadian ICES-001.

In This Guide...

This guide contains information of product, features, functions and information on how to install the Agilent U2781A USB modular instrument chassis.

1 Getting Acquainted

In this chapter you are introduced to an overview of the product features, applications and specifications.

2 Installation

In this chapter you prepare your system for both hardware and software installation. It describes on how to install the USB DAQ modules into the U2781A USB modular instrument chassis and other pre- installation software.

3 Features and Functions

In this chapter you are provided with information for better understanding on the features and functions of U2781A USB modular instrument chassis.

4 General Maintenance

In this chapter you are briefed on how to maintain the U2781A USB modular instrument chassis.



DECLARATION OF CONFORMITY
According to ISO/IEC Guide 22 and CEN/CENELEC EN 45014



Manufacturer's Name: Agilent Technologies Microwave Products (M) Sdn. Bhd
Manufacturer's Address: Bayan Lepas Free Industrial Zone,
11900, Bayan Lepas, Penang, Malaysia

Declares under sole responsibility that the product as originally delivered

Product Name: USB Modular Instrument Chassis (USB Card cage)
Models Number: U2781A
Product Options: This declaration covers all options of the above product(s)

complies with the essential requirements of the following applicable European Directives, and carries the CE marking accordingly:

Low Voltage Directive (73/23/EEC, amended by 93/68/EEC)
EMC Directive (89/336/EEC, amended by 93/68/EEC)

and conforms with the following product standards:

EMC	Standard	Limit
	IEC 61326-1:1997+A1:1998 / EN 61326-1:1997+A1:1998	
	CISPR 11:1990 / EN55011:1991	Class A Group 1
	IEC 61000-4-2:1995+A1:1998 / EN 61000-4-2:1995	4 kV CD, 8 kV AD
	IEC 61000-4-3:1995 / EN 61000-4-3:1995	3 V/m, 80-1000 MHz
	IEC 61000-4-4:1995 / EN 61000-4-4:1995	0.5 kV signal lines, 1 kV power lines
	IEC 61000-4-5:1995 / EN 61000-4-5:1995	0.5 kV line-line, 1 kV line-ground
	IEC 61000-4-6:1996 / EN 61000-4-6:1996	3 V, 0.15-80 MHz
	IEC 61000-4-11:1994 / EN 61000-4-11:1994	1 cycle / 100%

Canada: ICES-001:1998
Australia/New Zealand: AS/NZS 2064.1

The product was tested in a typical configuration with Agilent Technologies test systems.

Safety IEC 61010-1:2001 / EN 61010-1:2001
Canada: CSA C22.2 No. 61010-1:2004
USA: UL 61010-1: 2004

Supplementary Information:
U2781A is USB Modular Instrument chassis with 6 USB modules slot.

This DoC applies to above-listed products placed on the EU market after:

19-Dec-2006
Date

Mack Soh
Quality Manager

For further information, please contact your local Agilent Technologies sales office, agent or distributor, or Agilent Technologies Deutschland GmbH, Herrenberger Straße 130, D 71034 Böblingen, Germany.

Product Regulations

EMC	Performance Criteria
IEC 61326-1:1997+A1:1998 / EN 61326-1:1997+A1:1998 CISPR 11:1990 / EN 55011:1991 – Group 1 Class A	
IEC 61000-4-2:1995+A1:1998 / EN 61000-4-2:1995 (ESD 4kV CD, 8kV AD)	B
IEC 61000-4-3:1995 / EN 61000-4-3:1995 (3V/m, 80% AM)	A
IEC 61000-4-4:1995 / EN 61000-4-4:1995 (EFT 0.5kV line-line, 1kV line-earth)	B
IEC 61000-4-5:1995 / EN 61000-4-5:1995 (Surge 0.5kV line-line, 1kV line-earth)	B
IEC 61000-4-6:1996 / EN 61000-4-6:1996 (3V, 0.15-80 MHz, 80% AM, power line)	A
IEC 61000-4-11:1994 / EN 61000-4-11:1994 (Dips 1 cycle, 100%)	C
Canada: ICES-001:1998 Australia/New Zealand: AS/NZS 2064.1	
Safety IEC 61010-1:2001 / EN 61010-1:2001 Canada: CSA C22.2 No. 61010-1:2004 USA: UL 61010-1: 2004	

Additional Information:

The product herewith complies with the essential requirements of the Low Voltage Directive 73/23/EEC and the EMC Directive 89/336/EEC (including 93/68/EEC) and carries the CE Marking accordingly (European Union).

¹Performance Criteria:

A Pass - Normal operation, no effect.

B Pass - Temporary degradation, self recoverable.

C Pass - Temporary degradation, operator intervention required.

D Fail - Not recoverable, component damage.

N/A – Not applicable

Notes:

Regulatory Information for Canada

ICES/NMB-001:1998

This ISM device complies with Canadian ICES-001.

Cet appareil ISM est conforme à la norme NMB-001 du Canada.

Regulatory Information for Australia/New Zealand

This ISM device complies with Australian/New Zealand AS/NZS 2064.1

 N10149

Contents

1	Getting Acquainted	9
	Introduction	10
	Features	11
	Applications	11
	Checking the Contents	11
	Product Outlook	12
	General Specifications	13
	Electrical Specifications	14
	Mechanical Specifications	15
2	Installation	17
	L-Mount Kit Installation	18
	Modular Chassis Installation	19
	System Requirements	20
	Hardware Requirements	20
	Software Requirements	21
	DAQ Driver Installation	21
	Hardware Verification	25
	Agilent Measurement Manager Software Installation	25
3	Features and Functions	27
	Introduction	28
	USB Backplane	29
	Trigger Bus [0...7]	31
	Trigger Out	32
	External Trigger In (Star Trigger)	32
	System Reference Clock	33
	Chassis Temperature Monitoring	34
	Fan Speed Monitoring	35

Contents

Identifying Modules Location	36
Geographical Address	36
Modules Identification	36
Simultaneous Synchronization (SSI)	38
4 General Maintenance	41



1 Getting Acquainted

Introduction	10
Features	11
Applications	11
Checking the Contents	11
Product Outlook	12
General Specifications	13
Electrical Specifications	14
Mechanical Specifications	15

This chapter gives an introduction and overview of the product features, applications and specifications.



Introduction

The U2781A USB modular instrument chassis is a 4U height chassis with six USB module slots. It is a portable chassis with high performance added value. It targets a wide range of applications in both industrial and scientific environments. It helps you lower your cost of test and accelerate your test system integration and development.

The Agilent U2781A is equipped with USB plug - and- play connectivity. The USB interface that is compliant with the TMC- 488.2 Standards works seamlessly with Agilent Measurement Manager software and can be controlled remotely via industry standard SCPI commands. In addition, the U2781A modular instrument chassis comes with Agilent IO Libraries Suite 14.2.

The U2781A modular instrument chassis comes with star trigger bus, which offers precise synchronization between USB modules and the external trigger signal. The star trigger bus is a dedicated trigger lines between the external trigger input and USB slots.

Features

The key features of the U2781A modular instrument chassis are as follows:

- Simultaneous Synchronization (SSI)
- Star trigger
- Internal and external 10 MHz reference clock
- Trigger in and trigger out signals
- SCPI commands
- IVI-COM driver compatibility
- USBTMC 488.2 compliant
- USB 2.0 high speed interface

Applications

The Agilent U2781A USB modular instrument chassis can be applied to nearly any industrial data acquisition, industrial automation and education environment. The primary advantage is its synchronization capability between modules.

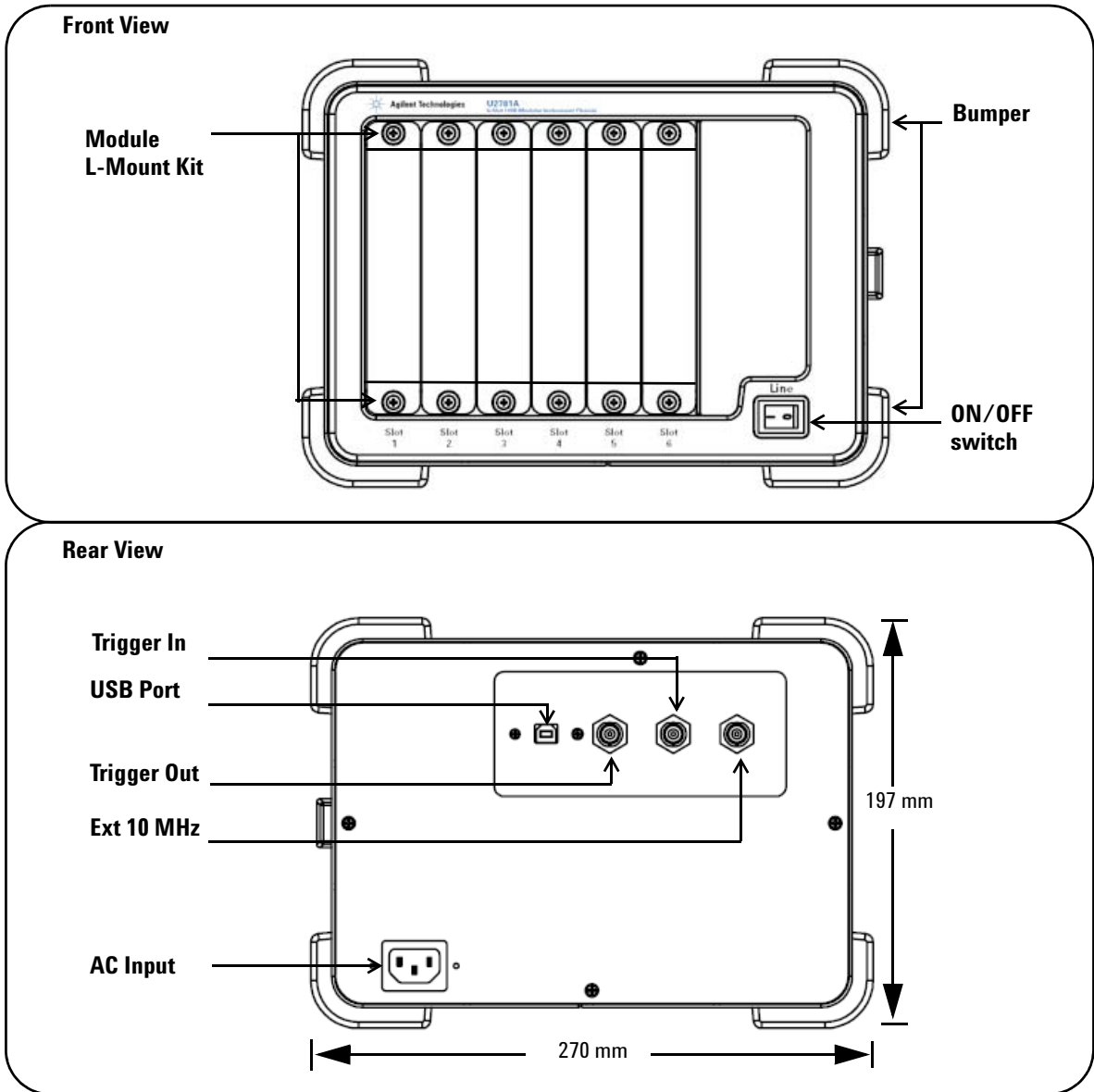
Checking the Contents

Inspect and verify the following items for the standard purchase of U2781A USB modular instrument chassis:

- Power cord
- USB extension cable
- Quick start guide
- Product Reference CD
- Agilent Automation-Ready CD
- Functional Test Certificate

If there are missing items, contact the nearest Agilent Sales Office.

Product Outlook



General Specifications

REMOTE INTERFACE

- USB 2.0 High Speed
- USBTMC Class Device

POWER CONSUMPTION

- 400 VA maximum
- Installation Category II

OPERATING ENVIRONMENT

- Operating temperature from 0 °C to +55 °C
- Relative humidity at 15% to 85% RH (non-condensing)
- Altitude up to 2000 meters
- Pollution Degree 2
- For indoor use only

STORAGE COMPLIANCE

- -20 °C to 70 °C

SAFETY COMPLIANCE

Certified with:

- IEC 61010-1:2001/EN 61010-1:2001 (2nd Edition)
- USA: UL61010-1: 2004
- Canada: CSA C22.2 No.61010-1:2004

EMC COMPLIANCE

- IEC/EN 61326-1 1998
- CISPR 11: 1990/EN55011:1991 , Group 1, Class A
- CANADA: ICES-001: 1998
- Australia/New Zealand: AS/NZS 2064.1

ACOUSTIC EMISSION

- Sound pressure level: 45.5 dB(A)
- Sound power level: 56.6 dB(A)

SHOCK & VIBRATION

- Tested to IEC/EN 60068-2

DIMENSION (WxDxH)

- 270.00 mm x 271.20 mm x 197.00 mm

WEIGHT

- 3.7 kg (without any modules slotted in)
- 6.0 kg (with maximum six modules slotted in)

WARRANTY

- One year
-

Electrical Specifications

Power Supply AC Input	
Input voltage range	100 to 240 VAC
Input frequency range	50 to 60 Hz
Power consumption	400 VA maximum
Efficiency	75%
Power Supply DC Output	
Output rated voltage	12 VDC
Max output rated current	16.7 A
Max output rated power	200 W
Over voltage protection	13.2 to 16.2 V

Internal 10 MHz Reference Clock	
Accuracy	25 ppm for operating range
Slot to slot skew	350 ps
External 10 MHz Reference Clock	
Auto detection level	Yes
Input frequency range	10 MHz
Input magnitude	100 mVpp to 5 Vpp (sine/square wave)
Input impedance	$50 \Omega \pm 5 \Omega$
Damage level	10 Vrms
External Trigger In	
Compatibility	TTL
V_{IH} (Positive threshold voltage)	2.0 V
V_{IL} (Negative threshold voltage)	0.8 V
Hold time	8 ns pulse width
Input voltage range	0 to 5.0 V
Slot to slot skew	350 ps
External Trigger Out	
V_{OH}	2.9 V
V_{OL}	0.1 V
Output voltage range	0 to 3.3 V

Mechanical Specifications

Physical Layout	
Number of USB module slots	6
Dimension of each module slot	25.40 mm (W) x 174.54 mm (D) x 105.00 mm (H)
Dimension of chassis	270.00 mm (W) x 271.20 mm (D) x 197.00 mm (H)
Weight	3.7 kg
Power LED	ON/OFF type
USB Backplane	
Connector	55 pins Enet male type C
Input signals	External 10 MHz clock in (BNC connector) External trigger in (BNC connector)
Output signal	Trigger out (BNC connector)
Cooling Fan	
Number of fans	2
Fan speed	3300 rpm \pm 10%
Noise	37 dB(A)
Power (each fan)	2.52 W

1 Getting Acquainted



2 Installation

L-Mount Kit Installation	18
Modular Chassis Installation	19
System Requirements	20
Hardware Requirements	20
Software Requirements	21
DAQ Driver Installation	21
Hardware Verification	25
Agilent Measurement Manager Software Installation	25

This chapter describes both the software and hardware installations of the Agilent U2781A USB modular instrument chassis. It covers the L-Mount kit installation, rackmount kit installation and the USB DAQ driver.



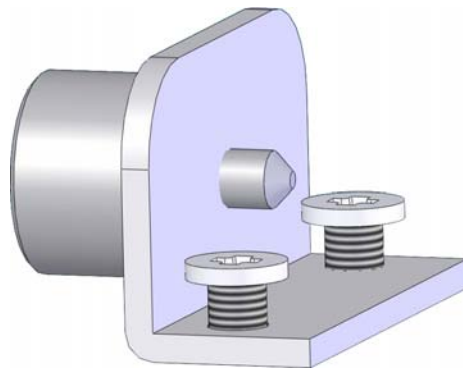
L-Mount Kit Installation

In order to slot in the USB module into the U2781A USB modular instrument chassis, you need to fix the L-Mount kit on both sides of the U2300A series DAQ.

NOTE

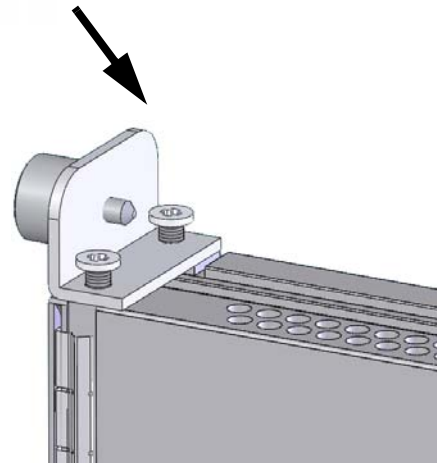
The L-Mount kit is provided when you purchase the U2300A series USB DAQ.

Below are simple instructions to install the L-Mount kit onto the U2300A series DAQ. The instructions in page 21 shows how a USB module is slot into the U2781A modular chassis.



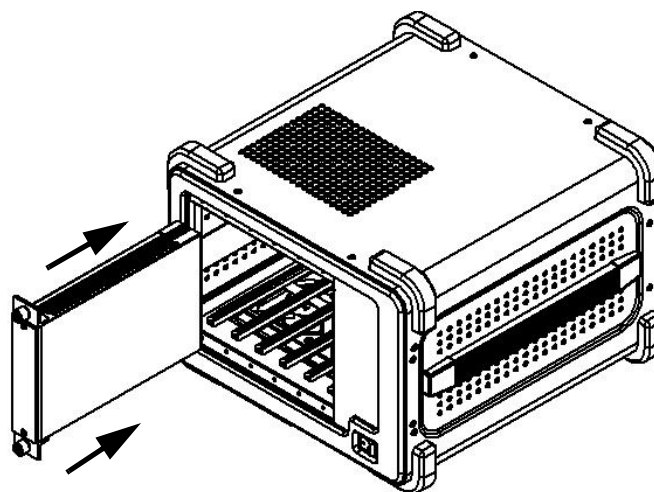
Step 1
Use both the L-Mount kit that are provided with the USB module.

Step 2
By using a Philips head screwdriver, tighten the screws on both sides of the USB module.



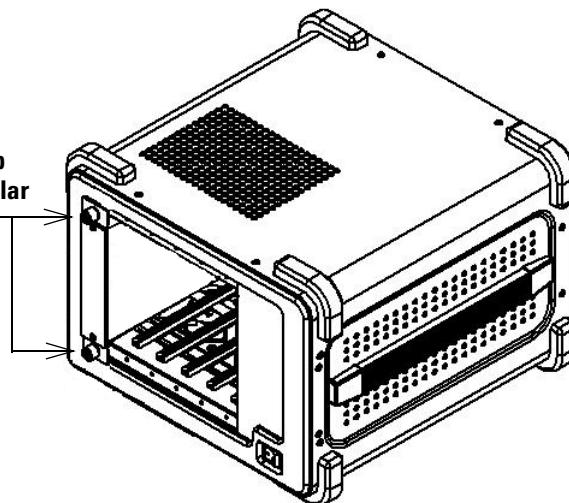
Modular Chassis Installation

Figures below show the installation of the USB module into the U2781A modular instrument chassis. Follow the arrows shown below.



Step 1
Slot in the USB module into the modular chassis. Make sure that the 55-pin backplane connector is at the bottom.

Step 2
Secure both the thumb screws onto the modular chassis



System Requirements

Prior to installing the Agilent Measurement Manager software and the USB DAQ driver, make sure your PC meets the following minimum system requirements.

NOTE

The software installation for U2781A USB modular instrument chassis is similar to U2300A series USB DAQ.

Hardware Requirements

Processor 500 MHz Pentium III or higher required
(1 GHz is recommended)

Operating system Windows 2000/XP

Browser Microsoft Internet Explorer 5.01 and above

Available RAM 256 MB above is recommended

Available disk space **225 MB required for installation**
160 MB for Microsoft .NET Framework
65 MB for Agilent IO Libraries Suite
8118 KB for Agilent U2300A DAQ Driver
5125 KB for Agilent Measurement Manager
Software

175 MB required for operation
110 MB for Microsoft .NET Framework
65 MB for Agilent IO Libraries Suite
8118 KB for Agilent U2300A DAQ Driver
5125 KB for Agilent Measurement Manager
Software

Video Super VGA (800 x 600) 256 colors or more

Software Requirements

Software requirements Agilent IO Libraries Suite, T&M Toolkit and Microsoft .NET Framework version 1.0 and 2.0

The Agilent IO Libraries Suite version 14.2 and above is recommended. If possible, you should use the current version of the Agilent IO Libraries Suite. Alternatively, you can install the Agilent IO Libraries Suite with the required version directly from the *Agilent Automation-Ready CD*.

NOTE

You are required to install the Agilent IO Libraries and DAQ Hardware Driver before installing the Agilent Measurement Manager Software. You are recommended to follow in sequence.

DAQ Driver Installation

NOTE

- You are required to install the DAQ driver at least once. If you have installed the DAQ driver when using the U2300A series USB DAQ, you do not need to install it again.
 - The USB DAQ driver only compatible with Windows 2000 and Windows XP.
 - Ensure that all devices are disconnected from PC before installing the driver.
-

Pre-installation of USB DAQ driver

- Verify that your PC meets the minimum hardware requirements as stated in [Hardware Requirements](#).
- Disconnect and unplug all devices from your PC.
- Ensure that Agilent IO Libraries Suite is installed before proceeding.

Installing the USB DAQ driver

- 1 Unpack the U2781A USB modular instrument chassis.
- 2 Insert the *Product Reference CD-ROM* into the CD-ROM drive.
- 3 Installer will automatically execute the Agilent U2300 Series Installation Menu. Click **Hardware Driver** to begin the installation of USB DAQ driver.

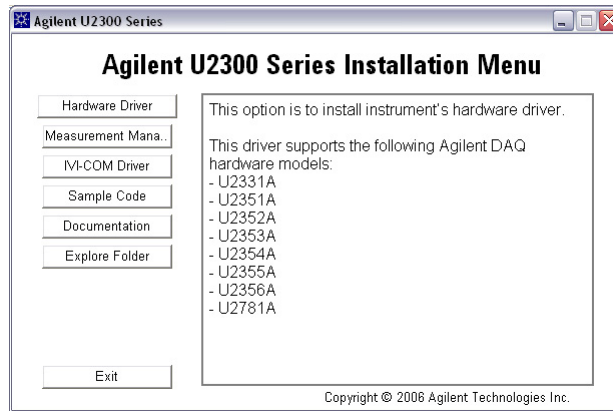


Figure 2-1

- 4 If it does not auto execute, go to **Start > Run** (on the Windows Start menu) and type <drive>:\Driver\Hardware\setup_hw.exe, where <drive> is your CD-ROM drive. Click **OK** to begin installation.

- 5 The Agilent USB DAQ Driver dialog box will appear as shown in figure 2-2. Click **Next** to proceed.



Figure 2-2

- 6 Click **Install** to begin installation.



Figure 2-3

7 Click **Finish** when the installation is completed.



Figure 2-4

Hardware Verification

To verify that the hardware plugged in and installed is connected properly, run the Agilent Connection Expert to do the hardware verification

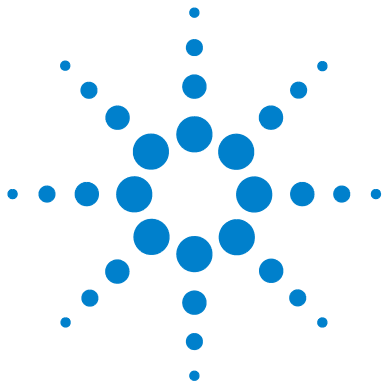
Agilent Connection Expert is one of the utility files in the Agilent IO Libraries. The Connection Expert configures connected instruments and enables communication. Connection Expert will automatically detect the USB instruments when connected. To begin, Click **Start > All Programs > Agilent IO Libraries Suite > Agilent Connection Expert**. The connected devices will be visible in this application.

Agilent Measurement Manager Software Installation

NOTE

- Verify that your PC meets the minimum requirements as stated in [Hardware Requirements](#).
 - You do not need to install the Agilent Measurement Manager software again if you have previously purchased and installed the U2300A series USB DAQ.
-

2 Installation



3 Features and Functions

Introduction	28
USB Backplane	29
Trigger Bus [0...7]	31
Trigger Out	32
External Trigger In (Star Trigger)	32
System Reference Clock	33
Chassis Temperature Monitoring	34
Fan Speed Monitoring	35
Identifying Modules Location	36
Geographical Address	36
Modules Identification	36
Simultaneous Synchronization (SSI)	38

This chapter describes the features and functions of the Agilent U2781A modular instrument chassis. This includes the operation of the USB backplane.



Introduction

The Agilent U2781A USB modular instrument chassis provides six USB modular slots and equipped with 200 W universal AC power supply and built-in over current protection circuit. A 10MHz system reference clock is supplied to each modules slots. There are two temperature sensors and a monitoring fan control circuit to monitor the internal temperature and speed of the fans. The fans are mainly used for heat dissipation.

The chassis also provides external 10MHz reference clock, external trigger in and trigger out functions via BNC connectors at the rear panel.

The key function for the chassis is to provide users with flexibility when using the U2781A modular instrument chassis. The modular chassis allocates housing for six USB modules with built-in power supply. The USB backplane provides a means to synchronize the modules.

The key features and functions of the Agilent U2781A USB modular instrument chassis are explained in this chapter.

USB Backplane

Figure 3- 1 illustrates the 55- pin assignment of the backplane connector pin.

11	GND	+12V	+12V	GND	USB_D+	USB_D-	GND
10	GND	+12V	+12V	+12V	GND	GND	GND
9	GND	+12V	+12V	+12V	GND	USB_VBUS	GND
8	GND	LBL0	BRSV	GND	TRIG0	LBR0	GND
7	GND	LBL1	GA0	TRIG7	GND	LBR1	GND
6	GND	LBL2	GA1	GND	TRIG1	LBR2	GND
5	GND	LBL3	GA2	TRIG6	GND	LBR3	GND
4	GND	LBL4	STAR TRIG	GND	TRIG2	LBR4	GND
3	GND	LBL5	GND	TRIG5	GND	LBR5	GND
2	GND	LBL6	CLK10M	GND	TRIG3	LBR6	GND
1	GND	LBL7	GND	TRIG4	GND	LBR7	GND
	Z	A	B	C	D	E	F

Figure3-1 55-pin backplane connector pin assignment

Table 3-1 Pin information of SSI connector

SSI timing signal	Functionality
+12V	+12 V power from backplane
GND	Ground
BRSV	Reserved pin
TRIG0~TRIG7	Trigger bus 0 ~ 7
STAR_TRIG	Star trigger
CLK10M	10MHz reference clock
USB_VBUS	USB bus power, +5 V
USB_D+, USB_D-	USB differential pair
LBL <0..7> and LBR <0..7>	Reserved pin
GA0, GA1, GA2	Geographical address pin

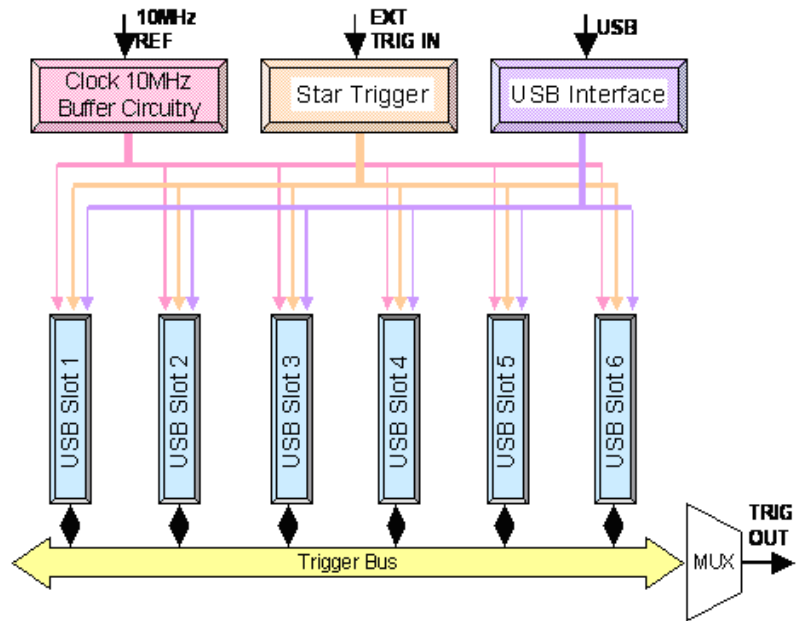


Figure3-2 USB backplane block diagram

Trigger Bus [0...7]

Trigger Bus [0...7] is an 8-bit digital bus connected from slot 1 to slot 6 to synchronize different USB modules. This trigger bus enables the USB modules of passing trigger signals to one another.

To have one of the modules to control the operation of the other modules, set the particular module as MASTER and the rest as SLAVE (refer to “Simultaneous Synchronization (SSI)” on page 39 for more details). The control signal is sent from the Master module to the SLAVE modules through this trigger bus. See Figure 3-3 for the bus architecture.

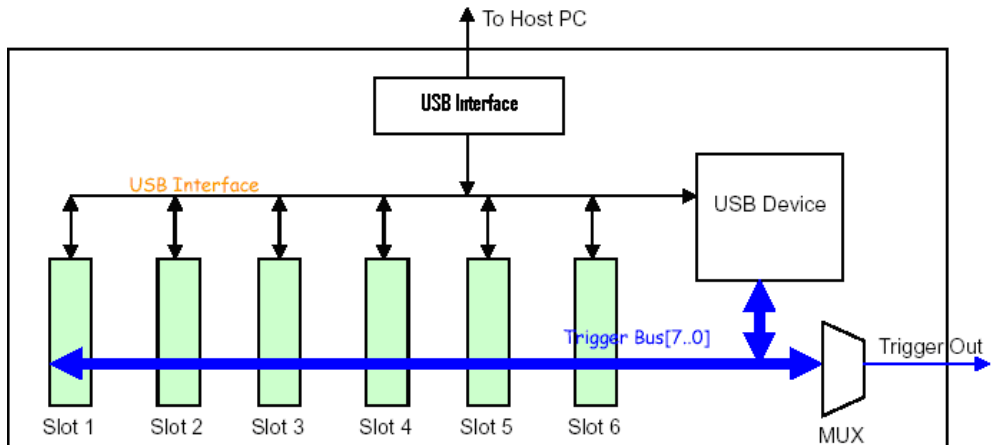


Figure3-3 Block diagram of Trigger Bus[0...7] and Trigger Out

In addition, the trigger bus can also be used to carry out the pre-configuration of the chassis and modules before any triggering activities. Refer to “Identifying Modules Location” on page 38 for more information,

Trigger Out

Trigger Out selects one of the trigger bus bit [0...7] for external trigger. The USB device in Figure 3- 3 controls the multiplexer switching for the trigger out selection.

The SCPI command below is used to set one of the trigger bus [0...7] as external trigger source:

TRIGger:OUT {0|1|2|3|4|5|6|7}

Trigger Out	Function
Bit-0	Time base
Bit-1	Reserved
Bit-2	Reserved
Bit-3	A/D trigger
Bit-4	Reserved
Bit-5	Reserved
Bit-6	Reserved
Bit-7	D/A trigger

External Trigger In (Star Trigger)

The star trigger bus offers a very high performance or precise synchronization between modules. The star trigger bus is a dedicated trigger line between the External Trigger Input and USB slots. This trigger signal is sent from external to each slot through a 1- to- 6 CLK buffer. The slot- to- slot skews are minimized to ensure that trigger signal reaches all six slots simultaneously. Refer Figure 3- 4 for the star trigger bus architecture.

To set star trigger as the module trigger source, the SCPI command below is sent to the modules:

OUTP:TRIG:SOUR STRG

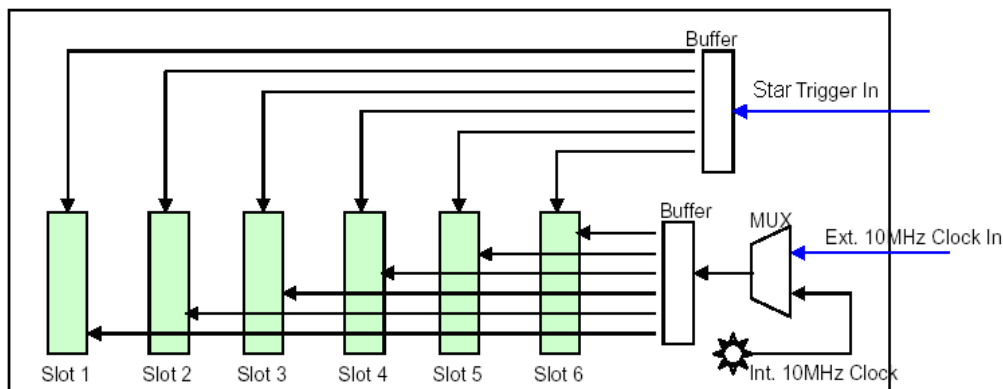


Figure3-4 Block diagram of the 10 MHz Reference Clock and External Trigger In

System Reference Clock

The 10 MHz reference clock can come from two sources; internal backplane oscillator and external clock source.

The internal oscillator on the USB backplane supplies an independent 10 MHz system reference clock to each of the USB slot. This 10 MHz reference clock is driven through an independent buffer. Refer to Figure 3- 4 for the block diagram. Every clock trace is in equal distance to ensure that the slot to slot skew is at minimum. Users can use this common reference clock signal to synchronize multiple modules in a measurement or control system.

The default SCPI command of *ACquire:RSIGNAL AUTO* will scan thru and detect if there is any valid clock source from the external BNC connector. If non is found, then the internal 10 MHz clock source will be used.

The SCPI command below will direct the reference clock source to the internal 10 MHz:

ACquire:RSIGNAL INT

Chassis Temperature Monitoring

The chassis contains a temperature control circuitry. It has two thermistor sensors to sense the inner temperature of the chassis. The temperature control circuitry communicates with backplane USB device through an I²C interface as illustrated in Figure 3- 5.

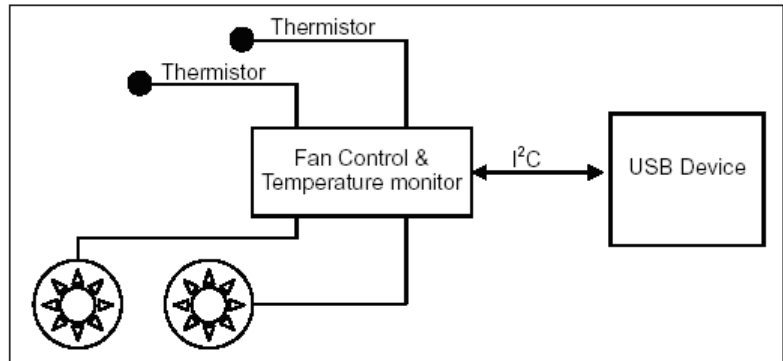


Figure3-5 Block diagram of temperature monitoring and fan control

The SCPI command below queries the temperature reading from the sensors in °C:

SYSTEM:TEMPerature? {1|2}

Fan Speed Monitoring

The U2781A USB modular instrument chassis is also integrated with a fan speed control circuit. It is used to monitor the fan status and speed. The control circuit communicates with backplane USB device via I²C interface. Refer to Figure 3-5.

To query the fan status, send the SCPI command below:

SYSTem:FSTATus? {1|2}

To query the fan speed in rpm, send the SCPI command below:

SYSTem:FSPeed? {1|2}

Identifying Modules Location

Geographical Address

Each slot in the chassis is designed with a 3-bit address pin, which is designated as a location identity for USB modules. The address for all six slots are as below:

Slot	Address
1	001
2	010
3	011
4	100
5	101
6	110

The USB modules are able to read this 3-bit data and know which slot the module is plugged in. To read the geographical address of each module, the SCPI command below is used:

SYSTEM:CDEscription?

Modules Identification

You may have more than one module or chassis connected to the same host PC. Figure 3- 6 illustrates an example of the connection.

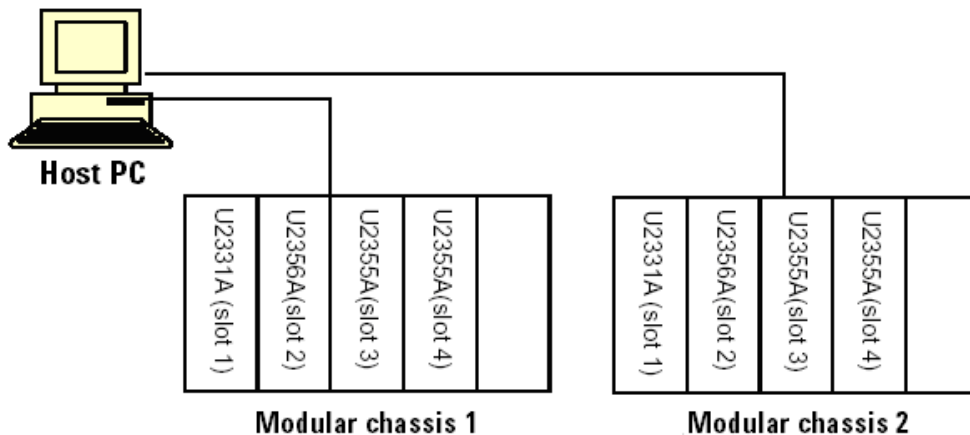


Figure3-6 Identifying modules location

In order to identify the location of the modules, a pre-configuration setting is needed before the synchronization or triggering event begins. Follow the steps below:

- 1 Send the following command to the modular chassis to trigger it. This command will be used to transmit the number to all USB modules via Trigger Bus [0...7]. You can choose from 1 to 255 for your chassis number.

SYSTEM:Identity {1|2|3...|255}

- 2 Send the following command to every module in the chassis to query each of the slot and chassis numbers.

SYST:CDES?

- 3 You may need to perform some sorting routine to determine which slot it is at and what is the assigned number of its host chassis. If a chassis has six modules in it, then there will be a total of 7 SCPI commands to send to chassis and modules.

- 4 During this identification operation, the trigger bus is used. Hence, any triggering activities on the backplane would be blocked.
- 5 Prior to any triggering activities, you must stop the configuration activity by sending the following command:

SYSTem:IDentity {0|OFF}

NOTE

- Do not execute the above mentioned steps when the USB modules are in the process of acquiring data.
- You do not need to perform the above pre-configuration if you are using the Agilent Measurement Manager software. You are only required to press the “Refresh” button.

Simultaneous Synchronization (SSI)

Simultaneous Synchronization (SSI) provides synchronization between the USB modules. Figure 3- 7 illustrates an example of SSI.

SSI allows you to set one of the modules as MASTER and others as SLAVE. MASTER module sends the SSI signal to the slave modules via the backplane trigger bus. SLAVE modules will then receive the signal and begin synchronization with MASTER module.

The SCPI command below is used to set the module as master:

CONF:SSI MAST

Send the SCPI command below to set the module as SLAVE:

CONF:SSI SLAV

NOTE

Only ONE master is assigned.

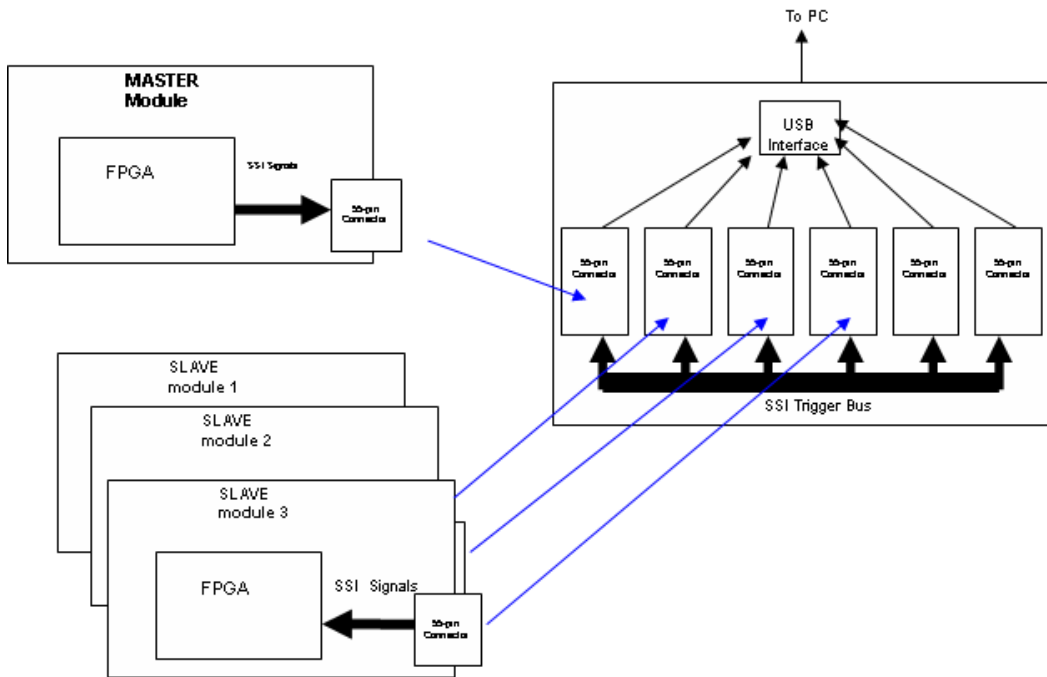


Figure3-7 Synchronization between modules in the chassis

3 Features and Functions



4 General Maintenance

This chapter gives a brief description on how to maintain the U2781A USB modular instrument chassis.



NOTE

Repair or service which are not covered in this manual should only be performed by qualified personnel.

To remove the dirt or moisture in the chassis panel, the cleaning steps are as follows:

- 1** Turn off the unit and remove the power cord and I/O cable.
- 2** Shake out any dirt that may have accumulated inside the chassis unit.
- 3** Wipe the chassis with a dry cloth.

www.agilent.com

Contact us

To obtain service, warranty or technical support assistance, contact us at the following phone numbers:

United States:

(tel) 800 829 4444 (fax) 800 829 4433

Canada:

(tel) 877 894 4414 (fax) 800 746 4866

China:

(tel) 800 810 0189 (fax) 800 820 2816

Europe:

(tel) 31 20 547 2111

Japan:

(tel) (81) 426 56 7832 (fax) (81) 426 56

7840

Korea:

(tel) (080) 769 0800 (fax) (080) 769 0900

Latin America:

(tel) (305) 269 7500

Taiwan:

(tel) 0800 047 866 (fax) 0800 286 331

Other Asia Pacific Countries:

(tel) (65) 6375 8100 (fax) (65) 6755 0042

Or visit Agilent worldwide web at:

www.agilent.com/find/assist

Product specifications and descriptions in this document subject to change without notice.

© Agilent Technologies, Inc. 2006

Printed in Malaysia
November 29, 2006

U2781-90003



Agilent Technologies